

Little Wonder[®] **BedShaper**[®]

MODELS:

904-00-01

13HP Honda Walk Behind Edger



MAN 70100

Rev. A 06-2012

Original Language Instructions

**Owners Manual and Safety Instructions for
Walk Behind Edger**

OPERATOR'S / PARTS MANUAL

CALIFORNIA

Proposition 65 Warning

Diesel engine exhaust and some of its constituents are known to the State of California to cause cancer, birth defects and other reproductive harm.

⚠ WARNING

The engine exhaust from this product contains chemicals known to the State of California to cause cancer, birth defects or other reproductive harm.

CALIFORNIA

Proposition 65 Warning

Battery posts, terminals, wiring insulation, and related accessories contain lead and lead compounds, chemicals known to the State of California to cause cancer and birth defects or other reproductive harm.
WASH HANDS AFTER HANDLING.

LITTLE WONDER BEDSHAPER

IMPORTANT MESSAGE

Thank you for purchasing this Little Wonder product. You have purchased a world class product, one of the best designed and built anywhere.

This machine comes with an Operation / Parts Manual. The useful life and good service you receive from this machine depends to a large extent on how well you read and understand this manual. Treat your machine properly, lubricate and adjust it as instructed, and it will give you many years of reliable service.

Your safe use of this Little Wonder product is one of our prime design objectives. Many safety features are built in, but we also rely on your good sense and care to achieve accident-free operation. For best protection, study the manual thoroughly. Learn the proper operation of all controls. Observe all safety precautions. Follow all instructions and warnings completely. Do not remove or defeat any safety features. Make sure those who operate this machine are as well informed and careful in its use as you are.

See a Little Wonder dealer for any service or parts needed. Little Wonder service ensures that you continue to receive the best results possible from Little Wonder products. You can trust Little Wonder replacement parts because they are manufactured with the same high precision and quality as the original parts.

Little Wonder designs and builds its equipment to serve many years in a safe and productive manner. For longest life, use this machine only as directed in the manual, keep it in good repair and follow safety warnings and instructions. You'll always be glad you did.

Little Wonder
1028 Street Road
Southampton, PA 18966-4217

TABLE OF CONTENTS	PAGE
SAFETY	2-5
LABELS	6
CONTROLS.....	7
OPERATION.....	8, 9
BEDSHAPING TIPS	10
MAINTENANCE / ADJUSTMENTS	11-13
PART REPLACEMENT	14
PARTS SECTION.....	15
DRIVE ASSEMBLY AND SIDE COVER	FIGURE 1 16, 17
GEAR CASE.....	FIGURE 2 18, 19
WHEEL DRIVE AND GUARD ASSEMBLY.....	FIGURE 3 20, 21
HANDLEBAR ASSEMBLY	FIGURE 4 22, 23
WARRANTY	REAR PAGE

NOTICE !!!

Unauthorized modifications may present **extreme** safety hazards to operators and bystanders and could also result in product damage.

Little Wonder strongly warns against, rejects and disclaims any modifications, add-on accessories or product alterations that are not designed, developed, tested and approved by Little Wonder Engineering Department. Any Little Wonder product that is altered, modified or changed in any manner not specifically authorized after original manufacture—including the addition of “after-market” accessories or component parts not specifically approved by Little Wonder will result in the Little Wonder Warranty being voided.

Any and all liability for personal injury and/or property damage caused by any unauthorized modifications, add-on accessories or products not approved by Little Wonder will be considered the responsibility of the individual(s) or company designing and/or making such changes. Little Wonder will vigorously pursue full indemnification and costs from any party responsible for such unauthorized post-manufacture modifications and/or accessories should personal injury and/or property damage result.



This symbol means:
ATTENTION!
BECOME ALERT!

Your safety and the safety of others is involved.

Signal word definitions:

The signal words below are used to identify levels of hazard seriousness. These words appear in this manual and on the safety labels attached to Little Wonder machines. For your safety and the safety of others, read and follow the information given with these signal words and/or the symbol shown above.

DANGER

DANGER indicates a hazardous situation which, if not avoided, **WILL** result in death or serious injury.

WARNING

WARNING indicates a hazardous situation which, if not avoided, **COULD** result in death or serious injury.

CAUTION

CAUTION indicates a hazardous situation which, if not avoided, **COULD** result in minor or moderate injury. It may also be used to alert against unsafe practices or property damage.

CAUTION

CAUTION used without the safety alert symbol indicates a potentially hazardous situation which, if not avoided, **MAY** result in property damage.

Schiller Grounds Care, Inc.

1028 Street Road
Southampton, PA 18966 U.S.A
Phone: 215-357-5110
Fax: 215-357-8045

MODEL NUMBER

SERIAL NUMBER

MODEL NUMBER: This number appears on sales literature, technical manuals and price lists.

SERIAL NUMBER: This number appears only on your unit. It contains the model number followed consecutively by the serial number. Use this number when ordering parts or seeking warranty information.

LITTLE WONDER BEDSHAPER

MACHINE PREPARATION

Operator preparation and training

Read the Operation & Safety Manual

- If an operator or mechanic cannot read English, it is the owner's responsibility to explain this material to them. If any portion of this material is unclear, contact your factory representative for clarification.
- Become familiar with the safe operation of the equipment, operator controls and safety signs. Be prepared to stop the engine quickly in an emergency. Do not operate or allow another person to operate this machine if there are any questions about safety.
- All operators and mechanics should be trained. The owner is responsible for training the users.
- Wear appropriate clothing, including safety goggles or safety glasses with side shields when operating. Do not operate barefoot or wearing open sandals. Long hair, loose clothing or jewelry may get tangled in moving parts.
- Wear hearing protection.
- Wear safety glasses.
- Never allow underage children, unskilled or improperly trained people to operate this equipment. Local regulations can restrict the age of the operator.
- Keep warning labels and this operator's manual legible and intact. Replacement labels and manuals are available from the factory.
- Do not operate machine while under the influence of drugs or alcohol.
- The owner/user can prevent and is responsible for accidents or injuries occurring to themselves, other people or property.



SITE PREPARATION AND CIRCUMSTANCES

- Evaluate the terrain to determine how to safely perform the job. Only use accessories and attachments approved by the manufacturer.
- Evaluate the area for possible buried hazards. Buried hazards include: electrical wiring, gas piping, water piping, cable television wire, metal and plastic edging, irrigation pipes, roots, masonry, metal, and other items that may cause damage or injury to persons, machine, or property.
- Clear the area to be cut of objects such as rocks, toys, wire or other debris that may be thrown or get tangled in the machine.
- Be sure the area is clear of pets and people, especially young children. Never assume they will remain where you last saw them. Stop the machine if any enter the area.

MULTIPLE OPERATORS

- Keep a safe distance between operators when working together.

MACHINE PREPARATION

- Inspect machine thoroughly.
- Do not tamper with or defeat safety devices. Keep guards, shields and interlock safety devices in place and in proper working condition. They are for your protection.
- Keep all fasteners such as nuts, bolts and pins well secured.
- Visually inspect blade and blade bolts for wear or damage. Replace worn or damaged blades and bolts.
- Verify that machine and attachments, if any, are in good operating condition.
- Never attempt to adjust the machine while the engine is running. Failure to wait until the engine and/or driveline comes to a complete stop may cause injury from moving parts. Do not engage blade until ready to use.

OPERATING SAFELY

IN GENERAL

- Use extra care when loading or unloading the machine into a trailer or truck.
- Use caution when making turns and crossing roads and sidewalks. Stop blade when not in use.
- Do not run the engine in an enclosed area where dangerous carbon monoxide fumes can collect.
- Never leave a machine unattended. Always turn off blade and stop engine when leaving the operator position.
- Evaluate the area for possible buried hazards. Buried hazards include: electrical wiring, gas piping, water piping, cable television wire, metal and plastic edging, irrigation pipes, roots, masonry, metal, and other items that may cause damage or injury to persons, machine, or property.
- Never attempt to adjust the machine while the engine is running. Failure to wait until the engine and/or driveline comes to a complete stop may cause injury from moving parts. Do not engage blades until ready to use.

STARTING

- Start according to instructions in this manual or on the machine.
- Before attempting to start the engine, make sure the blade engagement lever is disengaged.
- When starting the engine, make sure hands and feet are clear of the blade.



OPERATING ON SLOPES

USE EXTRA CARE WHEN WORKING ON SLOPES

- Do not operate on slopes if uneasy or uncertain. Ultimate responsibility for safe operation on slopes rests with the operator.
- Keep all movement on slopes slow and gradual.
- Be sure of your footing on slopes.

INTERRUPTING OPERATION

- Before leaving the operator's position:
 - Disengage the blade engagement lever.
 - Release the operating speed control lever.
 - Shut off the engine.
- Disengage the blade engagement lever and wait until the blade stops moving :
 - when not edging;
 - for transport;
 - when crossing surfaces other than grass.
- Stop the engine, disengage the blade engagement lever and wait until the blade stops moving:
 - before refueling;
 - before making blade adjustment .
- Stop the engine, disengage the blade engagement lever, release the operating speed control lever, and disconnect the spark plug wire(s):
 - before clearing blockages;
 - before checking, cleaning or working on the machine;
 - after striking a foreign object. Inspect the machine for damage and make repairs before restarting;
 - if the machine begins to vibrate abnormally: shut off machine immediately. Inspect and make repairs as needed before restarting;
 - except for repairs or adjustments as specifically noted, such as for carburetor adjustment, where the engine must be running. Keep hands and feet clear of moving parts in these circumstances.
- Allow the blade to come to a complete stop when stopping operation to clear blockages, unclog, inspect the machine, do maintenance or repair.
- Reduce the throttle setting during engine shut-down and, if the engine is provided with a shut-off valve, turn the fuel off at the conclusion of operation.

MAINTENANCE SAFETY

In general

- Maintain machine according to manufacturer's schedule and instructions for maximum safety and best results.
- Never allow untrained personnel to service machine.
- Adjust or repair only after the engine has been stopped and the blade has stopped moving.
- Replace parts if worn, damaged or faulty. For best results, always replace with parts recommended by the manufacturer.
- Do not dismantle the machine without releasing or restraining forces which may cause parts to move suddenly.
- Do not put hands or feet near or under rotating parts.
- Clean up spilled oil or fuel thoroughly.
- Replace faulty mufflers.
- To reduce fire hazards, keep the engine, muffler, and fuel storage area free of grass, leaves, debris buildup or grease.
- Never alter or remove any safety devices on the unit. Safety devices are incorporated into the design for safe operation.

MAINTENANCE AND ADJUSTMENTS

- Disconnect spark plug wire(s) before doing any maintenance.
- Particular care must be taken when adjusting the carburetor while the engine is running. Keep hands and feet clear. Shut off blades.
- When working underneath lifted parts or machines, make sure adequate support is provided.
- Do not dismantle the machine without releasing or restraining forces which can cause parts to move suddenly.
- Keep all nuts, bolts and screws tight to be sure the equipment is in safe working condition.
- Replace worn or damaged parts for safety.

Blades

The blade is sharp and can cut. Use extra caution when handling. Remove obstructions with care. Wrap the blade or wear gloves.



- Only replace blade. Never straighten or weld.
- Keep other persons away from blades.

Fuel

Gasoline and diesel fuels are flammable; gasoline vapors are explosive. Use extra care when handling.

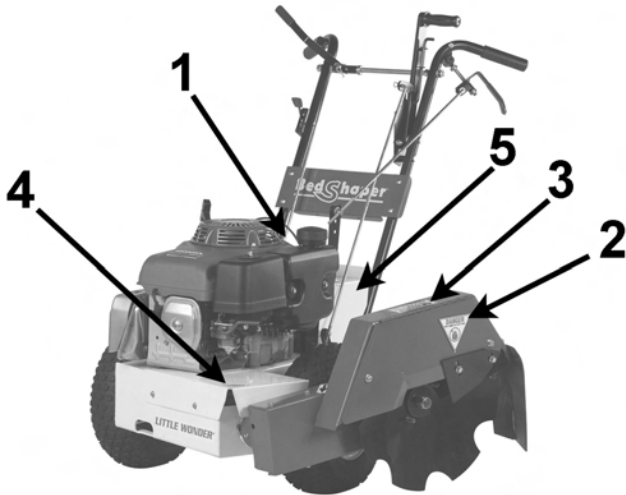


- Store only in containers specifically designed for fuel.
- When refueling or checking fuel level:
 - Stop the engine and allow to cool;
 - Do not smoke;
 - Refuel outdoors only;
 - Use a funnel;
 - Do not overfill;
 - If fuel is spilled, do not attempt to start the engine until the spill is cleaned up and vapors have cleared.

Sparks from static electricity can start fires or cause explosions. Flowing fuel can generate static electricity. To prevent static electricity sparks:

- Keep containers electrically grounded. Do not fill containers in a vehicle or on a truck or trailer bed with a plastic liner. Fill containers on the ground away from the vehicle.
- When practical, remove gas powered equipment from the truck or trailer and refuel it on the ground. If equipment must be refueled on the truck or trailer, refuel from a portable container rather than a dispenser nozzle.
- Keep the dispenser nozzle in contact with the rim of the fuel tank or container opening until fueling is complete. Do not use a nozzle lock-open device.
- Replace caps on fuel cans and tanks securely.

LITTLE WONDER BEDSHAPER



Warning Label Locations:

1. 4165977-Warning Decal
2. 20942-Danger Decal
3. 20941-Underground Hazard Decal
4. 2000577-Rotating Parts Decal
5. 2000570-Fuel Warning Decal



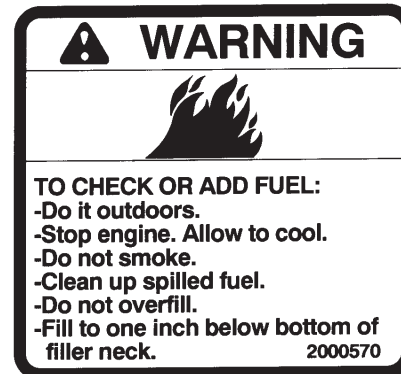
20941



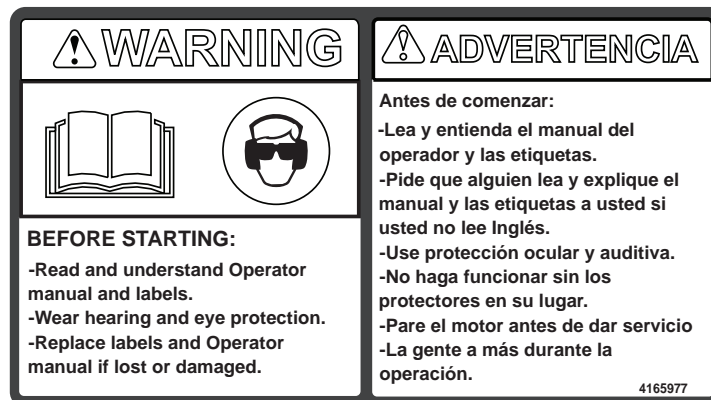
20942



2000577



2000570



4165977

LITTLE WONDER BEDSHAPER

BLADE LIFT LEVER (A)

Used to raise the blade arm from the ground for transport. Pull lever forward for transport. Release the spring loaded latch and ease lever forward to set the blade in the ground..

THROTTLE CONTROL (B)

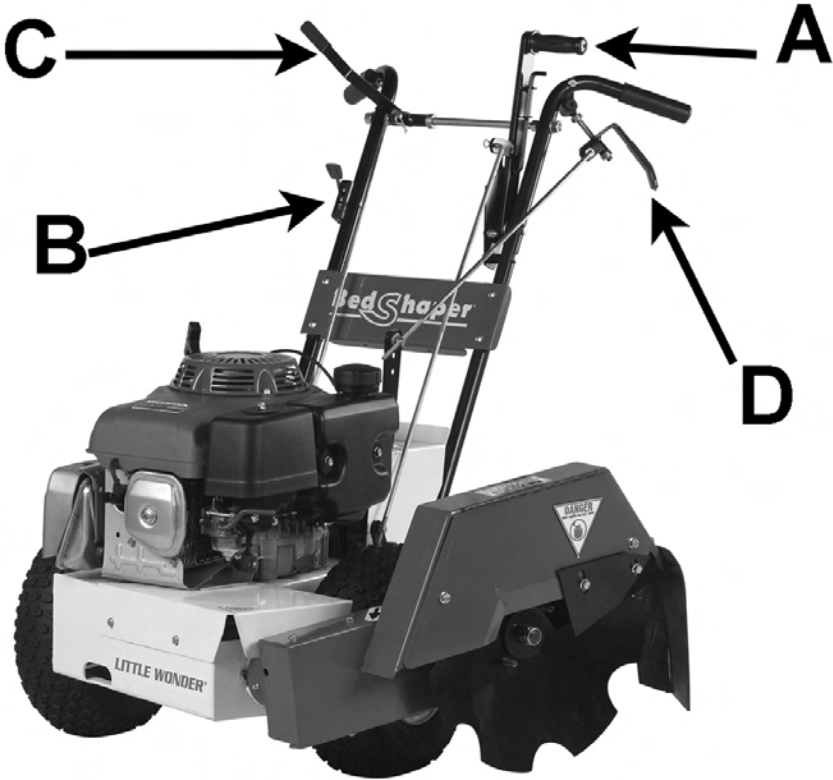
Controls engine speed.

BLADE ENGAGEMENT LEVER (C)

Engage the cutting blade.

OPERATING SPEED CONTROL LEVER (D)

Used to propel the machine in forward and reverse.



PRE-OPERATION CHECK LIST (OPERATOR'S RESPONSIBILITY)

- Review and follow all safety rules and safety decal instructions.
- Check that all safety decals are installed and in good condition. Replace if damaged.
- Perform a visual inspection of:
 - blade drive belts for tension and alignment.
 - blade for secure mounting.
 - shields and safety equipment.
 - all hardware to ensure it is properly installed and secure.
- Check that all hardware is properly installed and secured.
- Check to be sure engine is free of dirt and debris. Pay particular attention to the cooling fins, governor parts and muffler. Clean air intake screen. Check air cleaner; service is necessary.
- Inspect area. Remove stones or other hard objects that might cause damage.
- Check that there are no underground utilities in work area.
- Check all lubrication points and grease as instructed in manual.

BEFORE STARTING THE ENGINE

1. Be familiar with the controls, how each functions, and what each operates.
- 2.. Check engine oil level. Add oil if necessary, following the engine manufacturer's recommendations. Refer to engine manual supplied with machine.
4. Fill the fuel tank with the amount and type of fuel recommended by the engine manufacturer.

WARNING

Gasoline is extremely flammable and highly explosive under certain conditions. **BE SURE to install fuel cap after refueling.**



Fill fuel tank with good quality, clean, unleaded regular gasoline to the level recommended by the engine manufacturer.

TO CHECK OR ADD FUEL:

- Use a funnel to avoid spilling.
- Do it outdoors.
- Do not smoke.
- Stop the engine; allow to cool.
- Do not overfill.
- Clean up spilled fuel.

LITTLE WONDER BEDSHAPER

OPERATION

STARTING THE ENGINE

1. Your machine has a pull ring choke (**C**). Pull the ring out to choke the engine.
2. Move the throttle (**B**) to about half throttle. Start the engine. See engine operator's manual shipped with your machine for details on starting.
3. Before engaging blade be sure all bystanders, especially children and pets, are clear of operating area.
4. Blade should be out of the ground, in the transport position.
5. Set engine speed about half throttle. Refer to the engine operator's manual shipped with your machine.
6. Engage Blade Engagement Lever (**D**).
7. Adjust engine speed to full throttle.
8. Smoothly push Blade Lift Lever (**A**) forward to lower blade into the ground.
9. Engage the Operating Speed Control Lever (**E**) smoothly to propel the machine forward.
10. Operating speed is achieved by sliding the control handle forward. Then slowly engage (Squeeze) the lever. (**Figure 1**)
11. Transport speed is achieved by sliding the control handle reward. Ten slowly engage (squeeze) the lever. (**Figure 2**)

STOPPING THE ENGINE

1. Release Operating Speed Control Lever (**E**) to stop forward travel.
2. Pull back on Blade Lift Lever (**A**).
3. Release Blade Engagement Lever (**D**).
4. Reduce engine speed to an idle.
5. Move throttle lever to OFF position to shut off engine.

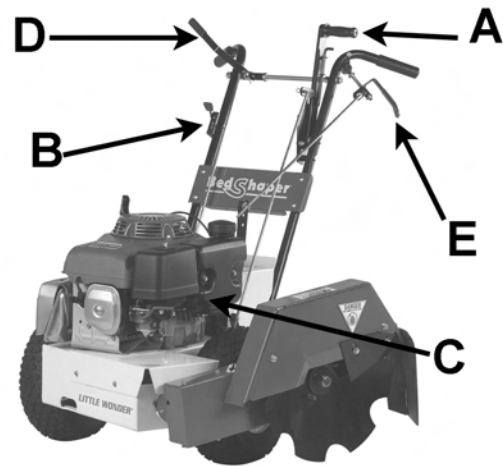


FIGURE 1



FIGURE 2

CAUTION

DO NOT OVERRIDE BLADE ENGAGEMENT LEVER SPRING LOADED SAFETY SHUTOFF.

Observe conditions behind you before moving the machine in reverse, making sure you have a clear path to walk backwards. Engage lever in the reverse slowly to maintain control over the machine at all times.

CAUTION

Always remove spark plug wire when leaving machine unattended. This prevents children and unauthorized operators from starting and operating unit.

CAUTION

If blade strikes a stationary object while operating, disengage blade engagement lever immediately. Stop engine. Disconnect spark plug wire, and open blade shield. Inspect machine thoroughly for damage. Make sure the blade is securely tightened.

CAUTION

Never operate the machine at transport speed or in reverse with the blade engaged or serious bodily injury or machine damage could result.

BLADE LIFE:

Conditions will vary, but blade life will be about 10 hours of operation. Wear will be noticeable on the notches of the blade. The sharper and deeper the notches, the better the cut. Blade speed and soil conditions effect wear. Replace the blade when worn.

DO NOT ATTEMPT TO SHARPEN OR RECUT NOTCHES. THIS MAY RESULT IN OPERATOR INJURY.

SOIL CONDITIONS:

Bed shaping will require the least amount of time, power and blade wear when the soil is damp. Pre-wetting the soil may be an option. The sod will cut cleaner and the remaining sod strip will stay intact for easier cleanup if damp.

PRE-MARKING:

Pre-mark the area to be shaped with marking paint or lime to ensure a consistent straight or curved edge. Never use solid objects or string as markers. These objects may be thrown by the blade or wrap around the blade shaft.

MULTIPLE PASSES AND CUTTING WIDTH:

When establishing a new bed or redesigning an existing bed, it is recommended that multiple passes be made. To facilitate removal of sod strips, the passes should be than 3" (7.6 cm) in width.

SPEED:

A slow walking pace is good for safe operation and accuracy, while maintaining efficiency.

BURIED HAZARDS:

Be constantly aware of the possibility of buried hazards. Check with property owners about possible hazards BEFORE using the unit. A little time spent investigating an area may prevent costly mistakes.

CUTTING NEW BEDS:

First, mark area to show the new bed outline. Then make first cut approximately 1" (2.5 cm) inside the outer border. Operate unit in counter clockwise direction, widening radius 3" (7.6 cm) in each rotation until desired bed size is achieved.

CLOGGING:

if clogging occurs, disengage the blade engagement lever. Stop engine, make sure that all moving parts have come to a stop. Disconnect the spark plug wire. Raise blade arm lift lever. Remove the two bolts which hold the hinged blade shield in place. Swing shield into service position. Unclog.

WARNING

If unclogging is required, use a dowel or other such object to unclog the blade and shield. When finished unclogging, swing shield back into place and fasten securely with bolts. Check blade nut to insure it is tight.

WARNING

Never attempt to operate machine without blade shield securely fastened.

CAUTION

HOT BLADE:

Allow blade to cool before servicing. Blade may be hot enough to cause burns. Wear gloves when servicing blade.

BEDSHAPER MAINTENANCE CHART				
Item	Daily	25 HRS	Yearly	Page
Visual Inspection	X			
Engine	Refer to Engine Manual			
Clean Blade Shield	X			11
Check Wear on Blade	X			11
Lubricate Blade Arm Fittings		X		12
Check Drive Belts		X		11
Lubricate Blade Shaft & Axle Bearings		X		12
Chain tension		X		12
End of Season Cleaning			X	

WARNING

BEFORE ANY MAINTENANCE OR ADJUST TO THE MACHINE, ALWAYS STOP ENGINE, DISCONNECT SPARK PLUG WIRE, AND ALLOW COMPONENTS TO COOL. WEAR GLOVES.

CLEAN BLADE SHIELD:

1. Shut off engine, disconnect spark plug wire and make sure blade is cool.
2. Remove two cover bolts from blade shield. Open hinged shield.
3. Remove debris from shield and behind blade with a dowel or similar object. Never use your hand, the blade may be sharp.
4. Close shield back into position. Securely fasten shield with two bolts. NEVER operate without shield securely fastened.

CHECK WEAR OF BLADE:

1. Shut off engine, disconnect spark plug wire and make sure blade is cool enough to handle (always wear gloves when handling blade).
2. Look for excessive wear, shipping and abnormal wear. Replace if necessary. See Blade Replacement Section.

3. Check the tightness of nut. Never operate machine when nut is not properly tightened. Nut should be tightened to 100 ft. lbs (13.8 kg/m).

CHECK BLADE DRIVE BELT:

1. Shut off engine, disconnect spark plug wire and make sure blade is cool enough to handle (always wear gloves when handling blade). Remove blade. See Blade Replacement Section
2. Remove bolts from belt drive shield. Remove shield.
3. Check condition of belt for excessive wear, fraying and abnormal conditions.
4. Replace with new belt if necessary. See Belt Replacement Section.
5. Reinstall belt drive shields, fasten securely with bolts.
6. Reinstall blade.

TRANSMISSION

The transmission requires no servicing or maintenance. Oil level in the reservoir should be at the lower reservoir mark when cold and will be at the upper reservoir mark when hot.

The machine can be towed manually by disengaging the hydrostatic transmission. To tow, move the lever to the left and over the hex bolt head to "TOW POSITION" as shown. To re-engage, move the lever to the "RUN POSITION".

GEARBOX & DIFFERENTIAL

The gearbox and differential require no servicing or maintenance.



END OF SEASON CLEANING:

BEFORE ANY MAINTENANCE OR ADJUST TO THE MACHINE, ALWAYS STOP ENGINE, DISCONNECT SPARK PLUG WIRE, AND ALLOW COMPONENTS TO COOL. WEAR GLOVES. ALWAYS WEAR EYE PROTECTION WHEN CLEANING THE MACHINE. ALWAYS WEAR EYE PROTECTION WHEN CLEANING MACHINE.

1. Remove bolts from all shields.
2. Tilt or remove shields so that internal parts of machine are exposed.
3. Remove dirt and debris from machine using compressed air.
4. Wash machine with a mild soap and water to remove dirt and grease.
5. Allow machine to dry thoroughly.
6. Lubricate all fittings with grease and perform all maintenance checks to prevent corrosion and to ready machine for new season.
7. Install all shields. Tighten bolts securely.
8. Cover machine with a protective covering. Store in a dry place.

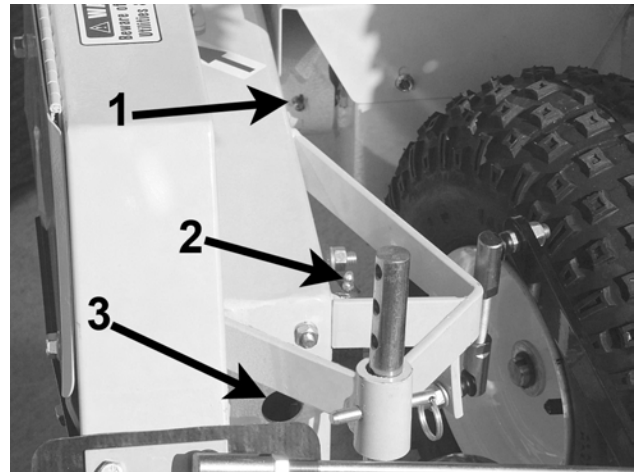
LUBRICATE BLADE SHAFT & AXLE BEARINGS:

DO NOT OVER FILL. TOO MUCH PRESSURE WILL DAMAGE BEARING SEALS.

1. Locate and clean fittings **2 & 3** on both sides of machine.
2. Pump fittings full of grease using a hand pump.

LUBRICATE BLADE ARM FITTINGS:

1. Locate and clean fittings **1** on both sides of arm.
2. Pump fittings full of grease using a hand pump.



ADJUSTMENT - DIRT SCRAPER GAP:



BEFORE ANY MAINTENANCE OR ADJUST TO THE MACHINE, ALWAYS STOP ENGINE, DISCONNECT SPARK PLUG WIRE, AND ALLOW COMPONENTS TO COOL. WEAR GLOVES. ALWAYS WEAR EYE PROTECTION WHEN CLEANING THE MACHINE.

1. Allow blade time to cool.
2. Raise Blade Lift lever into transport position.
3. Examine gap between blade and dirt scraper.

NOTE: Recommended gap is 1/2" (1.3 cm).

4. Adjust gap, if necessary. Loosen the tow bolts which secure dirt scraper. Adjust gap to 1/2" (1.3 cm). Tighten bolts.

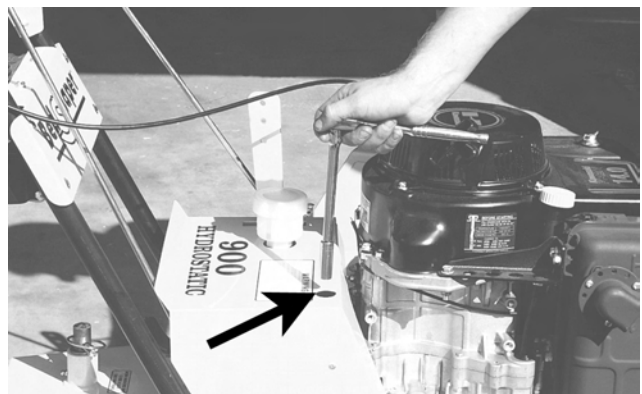


6. Rotate blade at least one full revolution. Check to see the blade does not contact dirt scraper. If contact is made, repeat steps and increase gap. It is important that the dirt scraper **DOES NOT** touch the blade.

7. Tighten bolts securely.

ADJUSTMENT TRANSMISSION DRIVE CHAIN:

1. Chain should be snug for proper operation. Adjust by loosening tension black and sliding rearward. Do not over tighten chain. Rotate drive by hand to ensure chain is not over tensioned at any one spot.

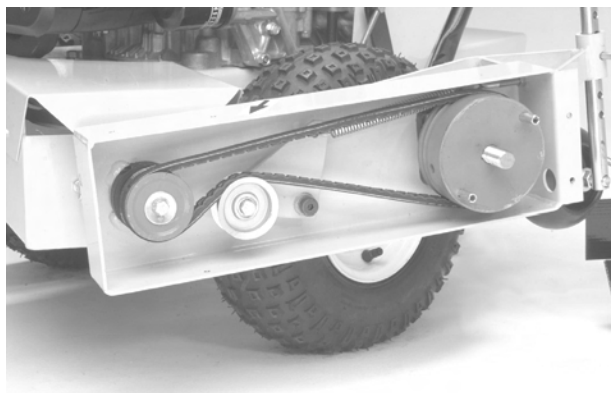


REPLACE BLADE ARM DRIVE BELT:

CAUTION

BEFORE ANY MAINTENANCE OR ADJUST TO THE MACHINE, ALWAYS STOP ENGINE, DISCONNECT SPARK PLUG WIRE, AND ALLOW COMPONENTS TO COOL. WEAR GLOVES.

1. Follow all instructions for checking blade drive belt.
2. Pull idler pulley down to take tension off belt.
3. Remove old belt and replace.
4. Push idler pulley up to put tension on belt.
5. Replace belt cover and blade.

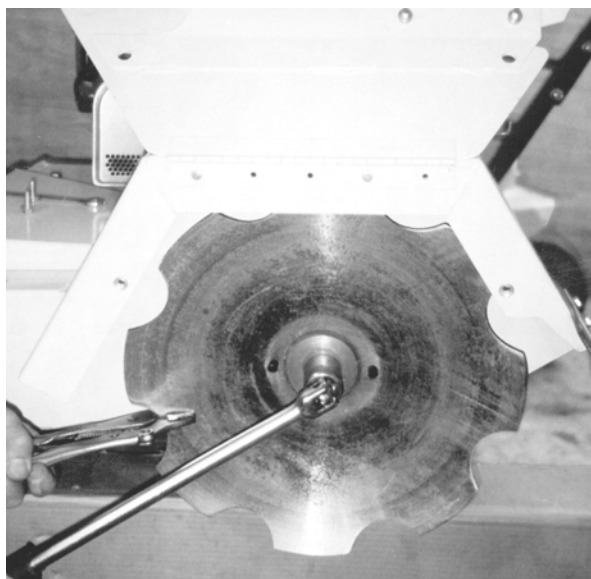


REPLACE MAIN DRIVE BELTS:

1. Tilt machine forward sufficiently to gain access to belts on underside of unit.
2. Place a block under rear wheel to keep machine in raised position safely.
3. Loosen idler mount bolt and slide idler to left.
4. Remove and replace belt.
5. Slide idler to right to tension belt and tighten idler mount bolt.
6. Remove blocking and tilt machine to ground.
7. Remove blocks and tilt machine slowly back down to allow engine oil to return to its sump.

REPLACE DISC BLADE:

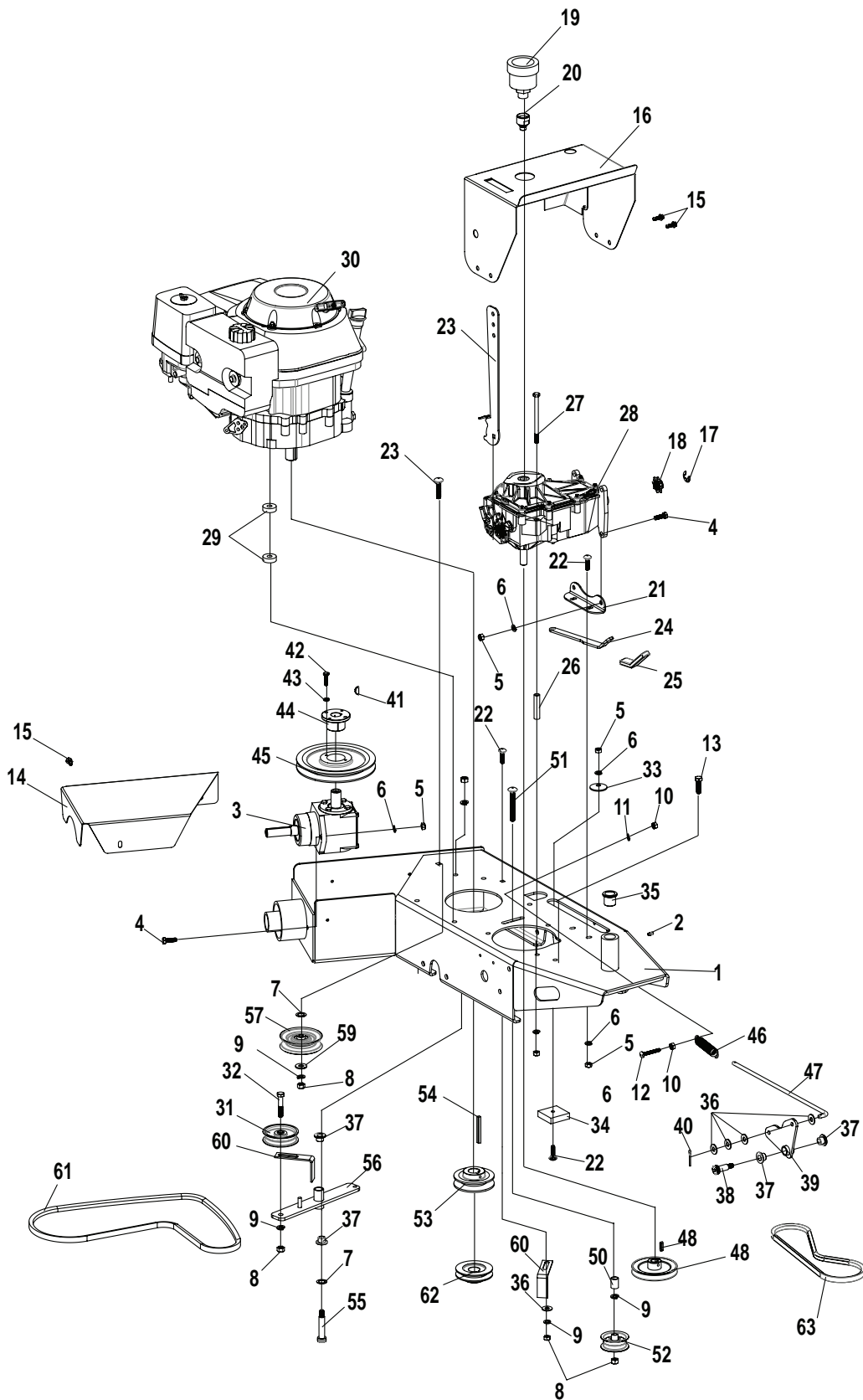
1. Remove bolts securing the hinged blade shield. Swing shield into servicing position.
2. Keep blade from turning by inserting a vise grip between a notch of the blade and the shield bracket.
3. Wire brush the exposed threads and remove the nut from the shaft. Remove washer. Remove the blade from the shaft.
4. Install the new blade on the shaft and align with the two guide pins. Replace lock nut each time or shaft damage will occur.
5. Block blade using vise grips as shown. Tighten nut to 100 ft. lbs. (13.8 kg/m) torque.
6. Tilt hinged shield back into position. Install two bolts and tighten securely.



DRIVE ASSEMBLY AND SIDE COVER

LITTLE WONDER BEDSHAPER

FIGURE 1



LITTLE WONDER BEDSHAPER

DRIVE ASSEMBLY AND SIDE COVER

FIGURE 1

ITEM	PART NO.	DESCRIPTION	QTY	ITEM	PART NO.	DESCRIPTION	QTY
1	22209	WLDMT-MAIN FRAME ASSY	1	34	18307	Chain Tensioner	1
2	20966	Grease Fitting 3/16	1	35	18128	Bushing Flange 1x7/8x1	1
3	18502	Blade Drive Gearbox	1	36	90029	Washer Flat 3/8	5
4	90054	Screw Cap 5/16 X 1	4	37	18004	Bushing Flanged	4
5	90048	Nut, 5/16-18	11	38	18112	Bolt Shoulder 1/2 X 1	1
6	90052	Washer Lock 5/16	11	39	22217	Welded Bell Crank	1
7	22074	Shim Corner Idler	2	40	90021	Cotter Pin 1/8 X 1	1
8	90030	Nut, 3/8-16	5	41	18054	Key, Woodruff	1
9	90033	Washer Lock 3/8	5	42	90015	Screw Cap 1/4 X 1 1/4	2
10	90012	Nut 1/4	2	43	90011	Washer Lock 1/4	2
11	90011	Washer Lock 1/4	1	44	18008	Hub, 7/8	1
12	90081	Carriage Bolt 1/4 X 1 3/4	1	45	18003	Pulley, Gearbox Drive	1
13	90040	Screw Cap 3/8 X 1	1	46	18047	Spring Blade Engage 3/4 X 3 3/4	1
14	18405	Front Belt Cover	1	1			
15	20994	Screw, Self Tapping 1/4 X 3/4	7	47	22058	Rod Blade Engage	1
16	22054	Cover Transmission	1	48	22022	Pulley	1
17	22083	Retaining Clip	1	49	90603	Key 5mm x 7/8	1
18	22059	Sprocket Drive	1	50	20947	Spacer Hydro Idler	1
19	22089	Reservoir Hydrostatic	1	51	90041	Bolt Carriage 3/8 x 2 3/4	1
20	22088	Adaptor Fitting	1	52	18020	Idler, Blade Drive	1
21	22084	Transmission Bracket	1	53	18040	Pulley, Blade Drive	1
22	90064	Bolt Carriage 5/16 X 1 1/4	4	54	18053	Key	1
23	22048	Hydro Control Lever	1	55	18002	Bolt, Shoulder 1/2 X 2	1
24	22047	Lever Tow Valve	1	56	18418	Arm, Blade Belt Tensioner	1
25	18115	Grip, Red	1	57	20948	Idler Pulley w/ Bushing 5/8 ID	1
26	22045	Standpipe 5/16 x 2 1/4 spacer	3	58	90037	Carriage Bolt 3/8 X 1 1/2	1
27	22046	Screw Cap 5/16 X 4 1/2	3	59	90607	Washer 3/8	1
28	21099	Transmission Assembly	1	60	18050	Belt Guide	2
29	20901	Engine Spacer	8	61	18201	Belt, Blade Drive	1
30	22252	Honda Engine 13 HP w/ tank	1	62	18038	Pulley, Hydrostatic Drive	1
31	18006	Pulley, Idler, Blade Drive	1	63	22170	Belt Hydro Drive	1
32	22205	Lift Rocker Assembly	1	64	18006	Idler Pulley, Blade Drive	1
33	18309	Spring Washer 3/8 x 1 1/2	1	65	90038	Screw Cap 3/8 X 1 1/4	1

* NOT ILLUSTRATED

LITTLE WONDER BEDSHAPER

GEAR CASE

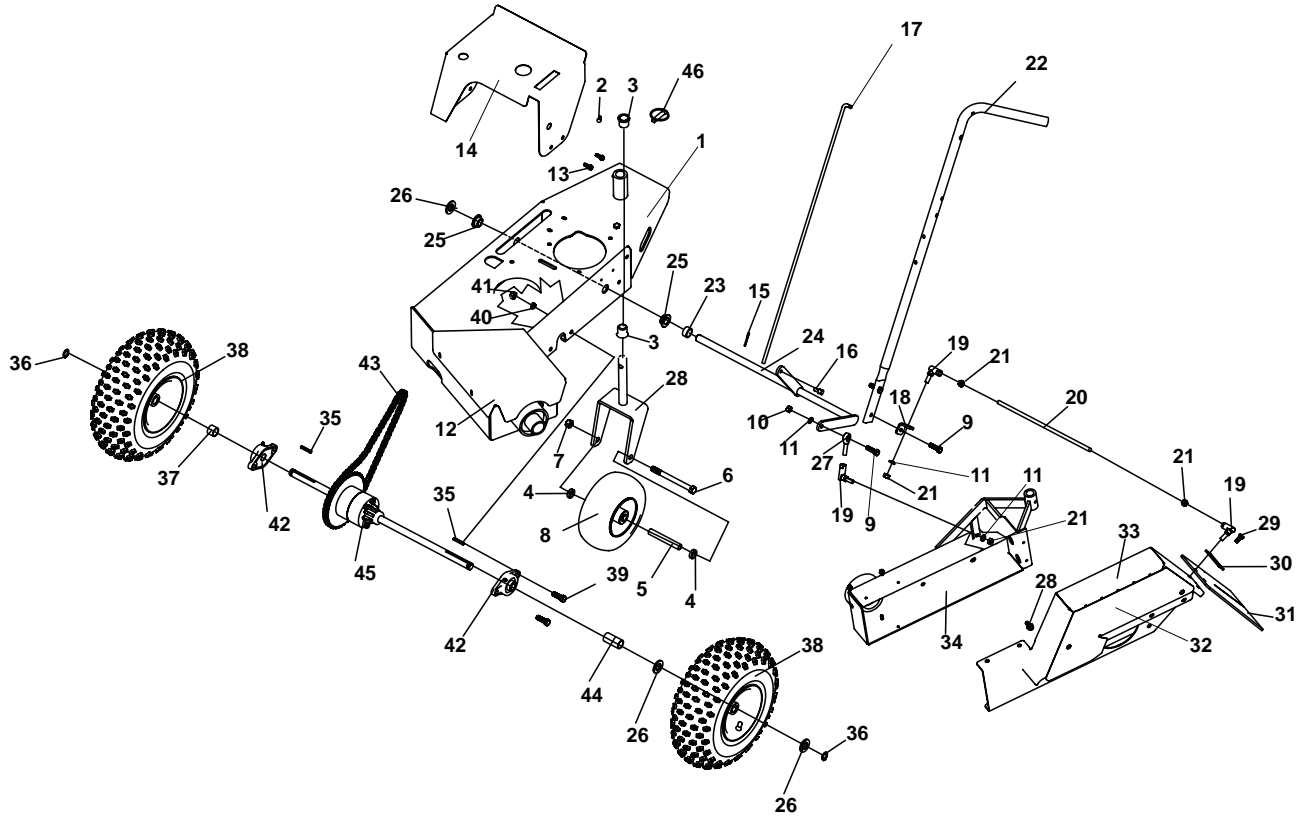
FIGURE 2

ITEM	PART NO.	DESCRIPTION	QTY	ITEM	PART NO.	DESCRIPTION	QTY
1	22130	Spacer	1	47	18426	Shank	1
2	21052	Shim	1	48	18103	Wheel, gauge	1
3	18134	Bushing, Bronze 3/4 Tall	1	49	18025	Bearing and Lock collar	2
4	18131	Split Collar 1 3/4	1	50	22184	Set Screw	4
5	90046	WASHER FLAT 5/16 USS	1	51	20980	Cover Blade Less 20979	1
6	90052	Washer Lock 5/16	3	52	22213	Welded Arm Housing	1
7	90053	Screw Cap 5/16-24 X 1 1/2	1				
8	90605	Key 3/16 x 3/16 x 1	1				
9	20994	Screw, Self Tapping 1/4 X 3/4	6				
10	18302	Pulley, Gearbox Driven	1				
11	22172	Belt	1				
12	90511	Bolt Flanged 5/16 X 3/4	4				
13	90033	Washer Lock 3/8	7				
14	90048	Nut, 5/16-18	3				
15	90019	Screw Cap 1/4 x 3/4	1				
16	18206	Mud Flap Clamp	1				
17	18061	Nut Lock 3/4 Nylon	1				
18	90031	Nut 3/8 Fine Thread	1				
19	18205	Mud Flap	1				
20	18408	Blade Scraper	1				
21	18462	Scraper Blade Inner	1				
22	18465	Dust Shield	1				
23	18060	Washer Blade	1				
24	20979	Blade Cover	1				
25	19233	Blade	1				
26	90029	Washer Flat 3/8	3				
27	90038	Screw Cap 3/8 X 1 1/4	1				
28	90030	Nut, 3/8-16	6				
29	18022	Bolt, Shoulder 1/2 X 1 1/2 EZ	1				
30	90028	Washer Flat 3/4	1				
31	90036	Screw Cap 3/8 X 1 1/2	4				
32	20949	Snap Ring	1				
33	90008	Screw Cap 1/2 X 4 1/4	1				
34	176	Washer 1/2	2				
35	90003	Nut, 1/2-13	1				
36	20966	Grease Fitting 3/16	3				
37	20902	Bushing	2				
38	22214	Welded Idler Arm Blade Drive	1				
39	18020	Idler, Blade Drive	1				
40	90102	Roll Pin 3/8 x 1 1/2	2				
41	21056	Pulley, Blade Drive	1				
42	90602	Key 3/16 x 3/16 x 1 3/8	1				
43	18018	Spring, Tension 3/4 X 4 3/4	1				
44	22215	Eye Bolt	1				
45	22190	Shaft	1				
46	18101	Pin	1				

WHEEL DRIVE AND GUARD ASSEMBLY

LITTLE WONDER BEDSHAPER

FIGURE 3



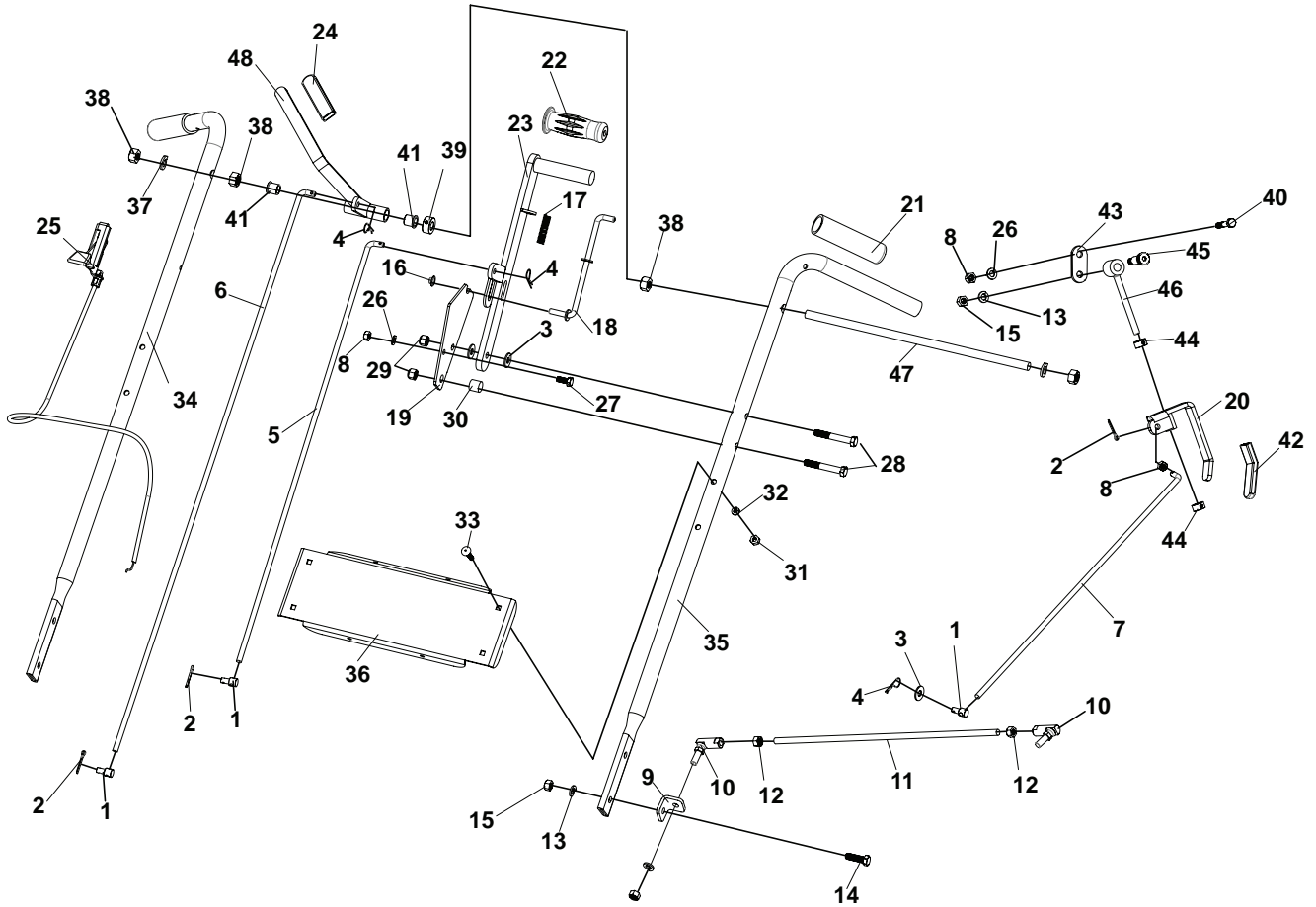
LITTLE WONDER BEDSHAPER

WHEEL DRIVE AND GUARD ASSEMBLY

FIGURE 3

ITEM	PART NO.	DESCRIPTION	QTY	ITEM	PART NO.	DESCRIPTION	QTY
1	22209	WLDMT-MAIN FRAME ASSY	1				
2	20966	Grease Fitting 3/16	1				
3	18128	Bushing Flange 1x7/8x1	2				
4	18129	Spacer 1 x 5/8 x 1/4	2				
5	18130	Sleeve 5/8 x 1/2 x 4 1/8	1				
6	90074	Screw Cap 1/2 X 5 1/2	1				
7	90003	Nut, 1/2-13	1				
8	18127	Wheel	1				
9	90040	Screw Cap 3/8 X 1	3				
10	90030	Nut, 3/8-16	1				
11	90033	Washer Lock 3/8	3				
12	18405	Front Belt Cover	1				
13	20994	Screw, Self Tapping 1/4 X 3/4	3				
14	22054	Cover Transmission	1				
15	90021	Cotter Pin 1/8 X 1	1				
16	18113	Swivel 5/16	1				
17	18416	Rod Blade Lift 29 3/8	1				
18	20952	Mounting Bracket	1				
19	20950	Ball Joint	3				
20	20951	Support Rod	1				
21	90031	Nut 3/8 Fine Thread	4				
22	18402	Handle Left	1				
23	18427	Rocker Spacer 1/2	1				
24	22205	Lift Rocker Assembly	1				
25	18118	Bushing Flange 3/4 x 1	2				
26	90028	Washer Flat 3/4	3				
27	18033	Rod End	1				
28	18125	Fork Weld Assembly	1				
29	90057	Screw Cap 5/16 x 3/4	1				
30	18206	Mud Flap Clamp	1				
31	18205	Mud Flap	1				
32	20979	Blade Cover	1				
33	20980	Cover Blade Less 20979	1				
34	22213	Welded Arm Housing	1				
35	18055	Key	2				
36	20949	Snap Ring	2				
37	18415	Wheel Spacer	1				
38	22033	Wheel Assy 145/70	2				
39	90075	Screw Cap 7/16 X 1 1/4	4				
40	90076	Washer Lock 7/16	4				
41	90077	Nut, 7/16-14	4				
42	18316	Bearing Axle	2				
43	22066	Chain Drive	1				
44	18414	Wheel Spacer	1				
45	18124	Linch Pin	1				

FIGURE 4



LITTLE WONDER BEDSHAPER

HANDLES

FIGURE 4

ITEM	PART NO.	DESCRIPTION	QTY	ITEM	PART NO.	DESCRIPTION	QTY
1	18113	SWIVEL 5/16	3	28	90080	SCREW CAP 3/8 X 2 1/2	2
2	90021	COTTER PIN 1/8 X 1	3	29	90035	NUT LOCK 3/8 NYLON	2
3	90029	WASHER FLAT 3/8	3	30	18430	QUADRANT SPACER	1
4	20974	HAIRPIN COTTER	3	31	90012	NUT 1/4	4
5	18416	ROD BLADE LIFT 29 3/8	1	32	90011	WASHER LOCK 1/4	4
6	18424	ROD BLADE ENGAGE 37 1/8	1	33	90013	BOLT CARRIAGE 1/4 X 1 1/2	4
7	22057	ROD, HYDRO	1	34	18402	HANDLE LEFT	1
8	90048	NUT, 5/16-18	3	35	18403	HANDLE RIGHT	1
9	20952	MOUNTING BRACKET	1	36	22104	HANDLEBAR SUPPORT	1
10	20950	BALL JOINT	2	37	90004	WASHER LOCK 1/2	2
11	20951	SUPPORT ROD	1	38	90003	NUT, 1/2-13	4
12	90031	NUT 3/8 FINE THREAD	3	39	18109	SET COLLAR	1
13	90033	WASHER LOCK 3/8	6	40	90606	SCREW CAP 5/16 X 1 3/4	1
14	90040	SCREW CAP 3/8 X 1	4	41	18110	BUSHING NYLON	2
15	90030	NUT, 3/8-16	5	42	18115	GRIP, RED	1
16	18023	NUT PUSH 5/16	1	43	22124	TAB SHORT HANDLEBARS	1
17	18120	SPRING LATCH 1/2 X 2 1/4	1	44	22113	SET COLLAR	2
18	18421	LATCH ROD	1	45	18112	BOLT SHOULDER 1/2 X 1	1
19	18423	QUADRANT	1	46	22086	SLIDE ROD WA	1
20	22087	HANDLE HYDRO CONTROL	1	47	18412	HANDLE, BAR	1
21	18114	HANDLE BAR GRIP	2	48	22216	LEVER, BLADE ENGAGE	1
22	19256	GRIP, BLADE LIFT	1				
23	18422	LEVER BLADE LIFT	1				
24	18115	GRIP, RED	1				
25	4164159-01	THROTTLE CABLE HONDA	1				
26	90052	WASHER LOCK 5/16	2				
27	90019	SCREW CAP 1/4 X 3/4	1				



2 YEAR LIMITED SERVICE AND WARRANTY POLICY FOR LITTLE WONDER BEDSHAPERS

All LITTLE WONDER BEDSHAPERS are warranted against defects in material and workmanship for a period of two (2) years from the date of purchase, under the following terms and conditions.

LITTLE WONDER will repair or replace, at its option, any part or parts of the product found to be defective in material or workmanship during the warranty period. Warranty repairs and replacements will be made without charge for parts or labor. All parts replaced under warranty will be considered as part of the original product, and any warranty on the replaced parts will expire coincident with the original product warranty. If you think your LITTLE WONDER BEDSHAPER is defective in material or workmanship, you must return it to a registered dealer with a valid sales receipt or to our factory at 1028 Street Rd., Southampton, PA 18966. Transportation charges to ship your product to us or a registered dealer must be borne by you.

Engines for all gasoline powered products are warranted separately by the engine manufacturer. Therefore, there are no warranties made, expressed or implied, for engines for gasoline powered products by LITTLE WONDER.

LITTLE WONDER assumes no responsibility in the event that the product was not assembled or used in compliance with any assembly, care, safety or operating instructions contained in the Owner's Manual or information accompanying the product. This limited warranty does not cover damages or defects due to normal wear and tear, lack of reasonable and proper maintenance, failure to follow operating instructions or Owner's Manual, misuse, lack of proper storage or accidents, nor does it cover routine maintenance parts and service. This limited warranty does not cover any defects due to repairs or alterations made to the product made by anyone other than LITTLE WONDER or its registered dealers.

You must maintain your LITTLE WONDER BEDSHAPER by following the maintenance procedures described in the owner's manual. Such routine maintenance, whether performed by you or a registered dealer, is at your expense.

LITTLE WONDER MAKES NO EXPRESS OR IMPLIED WARRANTIES REPRESENTATIONS OR PROMISES EXCEPT THOSE CONTAINED HEREIN. THERE ARE NO OTHER WARRANTIES, INCLUDING WARRANTIES OF MERCHANTABILITY AND FITNESS FOR A PARTICULAR PURPOSE. ALL WARRANTIES OTHER THAN THE EXPRESS WARRANTY SET FORTH ABOVE ARE SPECIFICALLY DISCLAIMED. THE DURATION OF ANY IMPLIED WARRANTY, INCLUDING MERCHANTABILITY AND FITNESS FOR A PARTICULAR PURPOSE, IS LIMITED TO THE DURATION OF THIS WRITTEN LIMITED WARRANTY. LITTLE WONDER DISCLAIMS ALL LIABILITY FOR INDIRECT, INCIDENTAL AND/OR CONSEQUENTIAL DAMAGES IN CONNECTION WITH THE USE OF THE LITTLE WONDER BEDSHAPER PRODUCTS COVERED BY THIS WARRANTY. SOME STATES DO NOT ALLOW LIMITATIONS ON HOW LONG AN IMPLIED WARRANTY LASTS AND/OR DO NOT ALLOW THE EXCLUSION OR LIMITATION OF INCIDENTAL OR CONSEQUENTIAL DAMAGES, SO THAT ABOVE LIMITATIONS AND EXCLUSIONS MAY NOT APPLY TO YOU. THIS WARRANTY GIVES YOU SPECIFIC LEGAL RIGHTS, AND YOU MAY ALSO HAVE OTHER RIGHTS WHICH VARY FROM STATE TO STATE

LITTLE WONDER®
SCHILLER GROUNDS CARE, INC.
1028 STREET ROAD, P.O. BOX 38
SOUTHAMPTON, PA 18966
PHONE 877-596-6337 • FAX 215-357-8045

www.littlewonder.com